

# TCN 202

## Continuous cycle dicer



### DICING THE BIG WAY

Our **TCN 202** dicer has been designed to continuously dice large quantities of vegetables (onions, turnips, courgettes, tomatoes, peppers, etc.), tubers (potatoes, carrots, root vegetables, etc.), fruit (apples, pears, pineapple, kiwis, etc.), octopus and other food products.

**TCN 202** is simple and quick to use. It simply needs the product to be poured into the loading hopper manually or by means of a conveyor and, in a matter of seconds, the product will come out perfectly diced.

The cutting system uses the principle of centrifugal force to push the product towards the set of knives, without squashing it. A special device makes it possible to adjust cutting speed, depending on the type of product.

You can cut even the most delicate and juice fruit and vegetable into cubes with size from 3 to 20 mm, assuring perfect shape every time with minimal processing waste. Every part of the **TCN 202** can be readily disassembled for replacing knife set or for easily cleaning the machine.

**TCN 202**, a innovative dicer that ensures large production outputs, minimum labour needs, impeccable performance and long product shelf-life.

# Wilma

LA SCIENZA DELLE GRANDI CUCINE

# TCN 202

## Continuous cycle dicer

### FEATURES

#### CONSTRUCTION

- Full stainless steel 18/10 construction, parts in anticorrosive material, treated stainless steel blades.
- The machine is completely disassemblable for cleaning.

#### FUNCTIONS

- Control panel with: on/off control, power indicator, speed adjustment knob, working speed display, functioning alarm light.
- Safety guards on self-loading hopper, on product discharge outlet and casing opening.
- Output rate: from 150 to 1000 Kg/h (depending on product and dice size).
- Maximum size of product to be processed: 80x80 mm.
- Some examples:

Product	Dice size	Output rate
onions	3 x 3 mm	200 kg/h
carrots	10 x 10 mm	700 kg/h
potatoes	15 x 15 mm	1000 kg/h

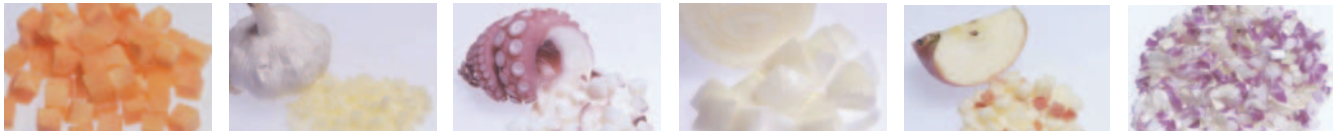


### Accessories

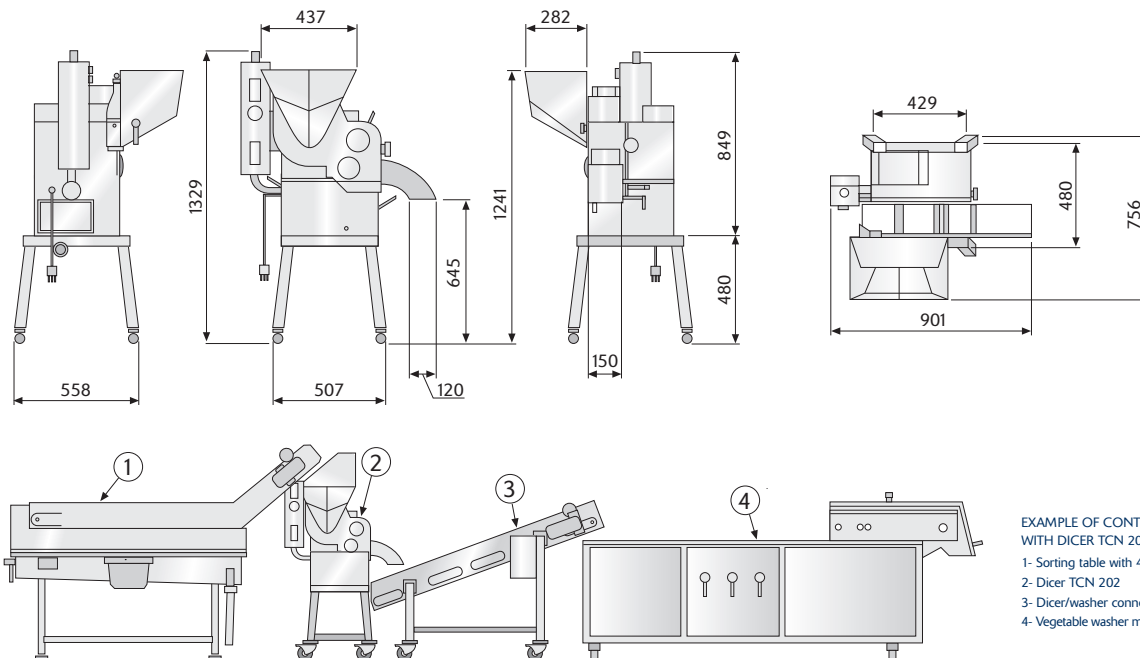
- Complete set of blades and blade guides for following dice sizes: 3x3x3 - 5x5x5 - 7,5x7,5x7,5 - 10x10x10 - 15x15x15 - 20x20x20 mm. Other sizes available on request.
- Four stainless steel wheels: two fixed and two castors with brake.

### Technical data

- Power supply: 230 V single phase
- Installed power: kW 0.75
- Weight: Kg 98
- Dimensions: 901x756x1329 (h) mm



### Technical drawings



EXAMPLE OF CONTINUOUS LINE WITH DICER TCN 202  
 1- Sorting table with 4 work stations  
 2- Dicer TCN 202  
 3- Dicer/washer connection belt  
 4- Vegetable washer mod. Atimatic 400



DEVICE MANUFACTURED TO HARMONIZED STANDARDS, WITH CE MARKING



NILMA S.p.A. Via E. Zacconi, 24/A - 43100 Parma - Tel. +39.0521.785241 - Fax +39.0521.774642 - www.nilma.it • nilma@nilma.it

Nilma reserves all rights to make all changes and technical updates it considers necessary, without prior notice.